



C. BECHSTEIN

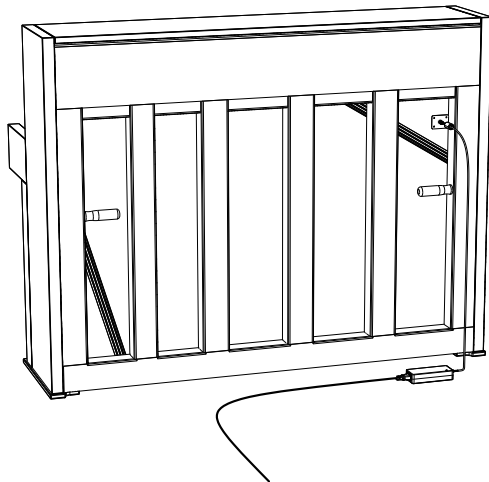
C. Bechstein Connect - Quick Start

Document version: 002EN
Last update: 12 September 2023

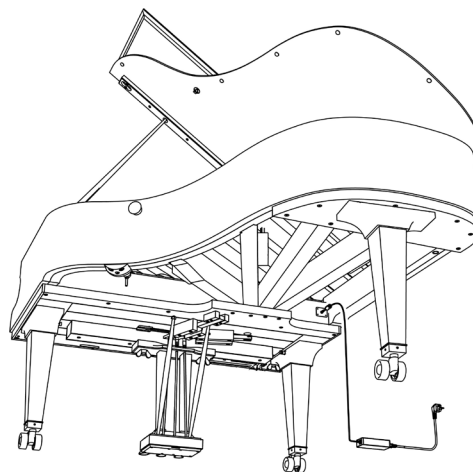
<https://www.bechstein.com>

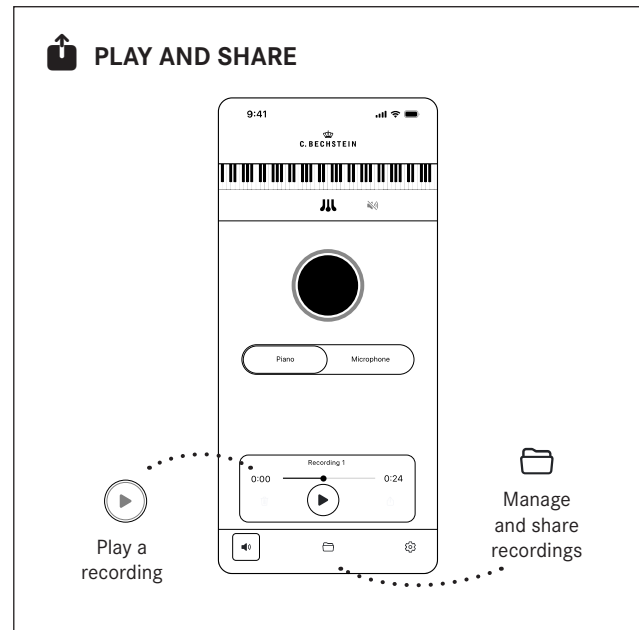
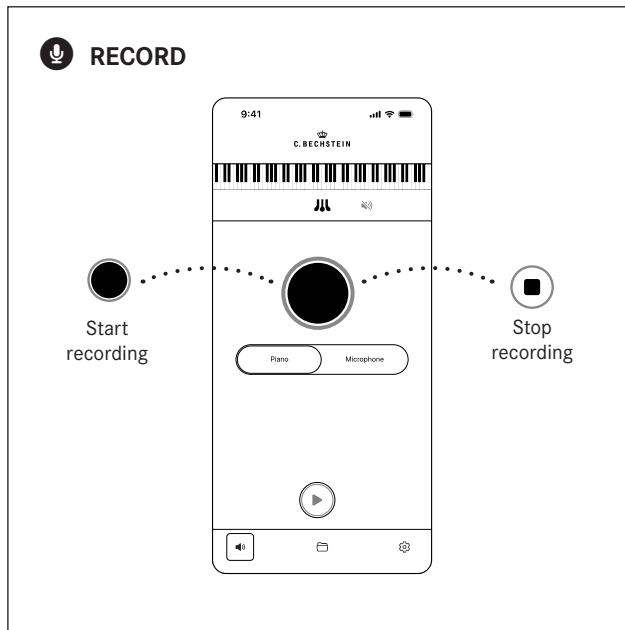
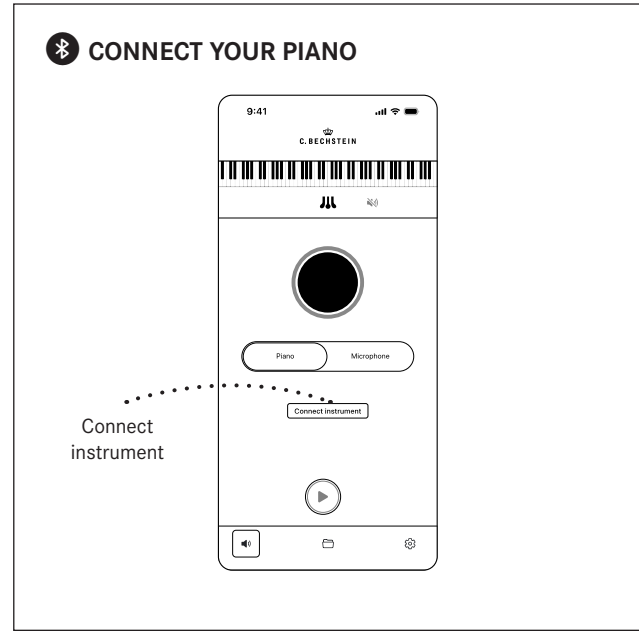
© 2023, C. Bechstein

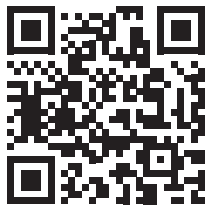
A POWER SUPPLY
Upright piano



B POWER SUPPLY
Grand piano





 **ONLINE USER MANUAL**


Learn more about using your piano
with C. Bechstein Connect.

 **SERVICE**


+800 1853 0000

+49 30 34646 1111

<https://service.bechstein-digital.com>

TECHNICAL DATA
Power supply

Voltage	100-240 V
Output voltage/current	19 V DC/ 4.74 A
Plug dimensions	5.5 x 2.5 mm
Power consumption	6.0 W (normal mode) 1.8 W (networked standby)

Auto power-off	Yes
----------------	-----

Connectivity	Bluetooth MIDI (BLE, single mode)
---------------------	-----------------------------------

Package content	Power supply unit and cord (with adapter), Display Stand and this quick start manual
------------------------	---

SAFETY INFORMATION

- Use only the power supply unit provided with the device, and connect it only to a socket with a voltage that corresponds to that indicated on the unit.
- Never damage the power cord or place any heavy object on it. Also avoid crushing, kinking or pinching the power cord.
- Make sure that no one trips over the power cord.
- Never open or modify the power supply unit.
- Make sure that no liquids, animals or objects such as coins, needles and paper clips get into the electronic components, especially the sensor bar located under the piano keys.
- Do not use, or stop using, the system if any of the following occurs: liquid or objects inside the piano; damaged power supply unit; smoke or smell of smoke; system damp or too cold; drop in performance or system not functioning as expected.
- Ensure that the power supply unit is well ventilated.
- To disconnect a cable (internal or external, power supply unit, etc.), always pull on the plug and not on the cable itself.
- Never touch a cable or the power supply unit with wet hands.
- After transporting the system, make sure that all cables are still properly connected and that the system is not damaged, too cold or damp.
- Unplug the system during thunderstorms.
- When having the piano tuned, ask the technician to clean the sensor bar.
- We recommend calibrating the sensors when the piano has been moved, after tuning or maintenance works, and at the beginning and end of the cold season.

C. Bechstein Sales & Service GmbH

Kantstraße 17
10623 Berlin, Germany

Tel. + 49 30 2260 559 12
E-mail: welcome@bechstein.com