

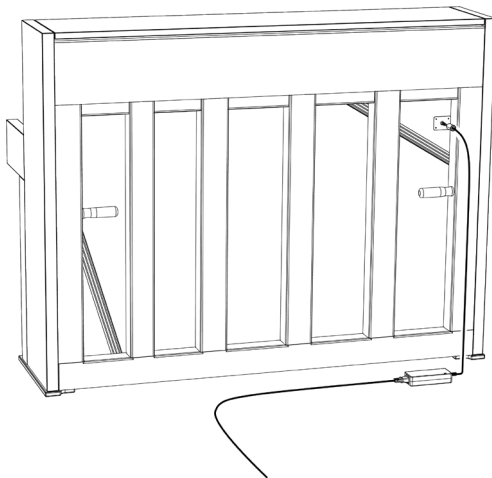
VARIO duet – Quick Start

Version of this document: 001EN
Last updated 8 August 2022

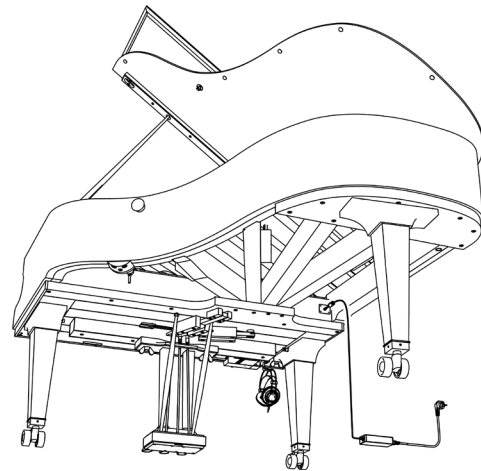
<https://www.bechstein-digital.com/>

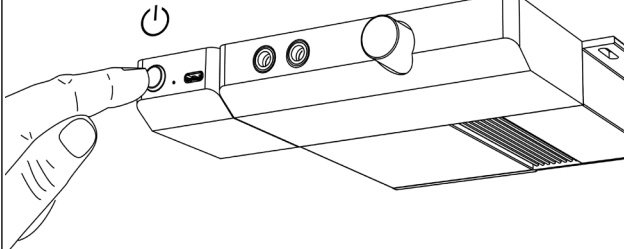
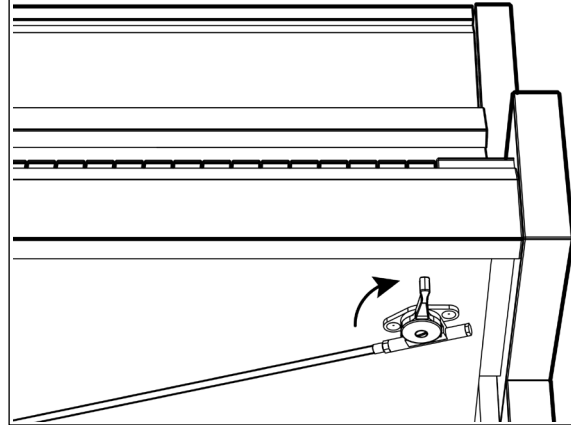
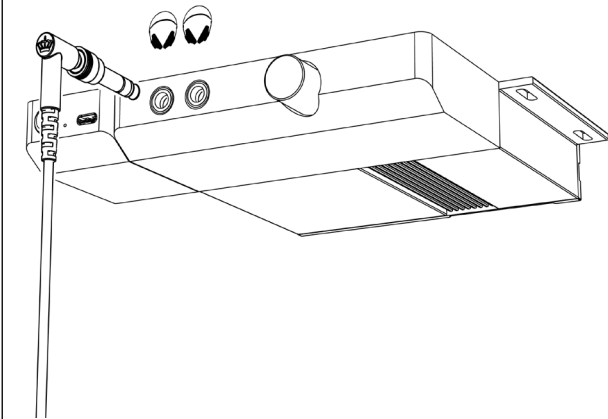
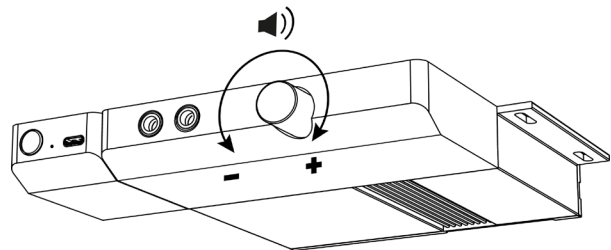
© 2022, C. Bechstein Digital GmbH

A POWER SUPPLY
upright piano

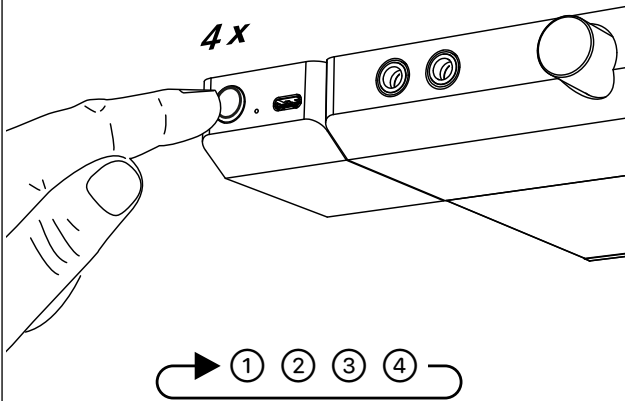


B POWER SUPPLY
grand piano



1 SWITCHING ON / OFF ⏻ 2 SEC.**2 ACTIVATING THE SILENT MODE****3 CONNECT HEADPHONES****4 ADJUST THE VOLUME**

5 SELECT FAVOURITES

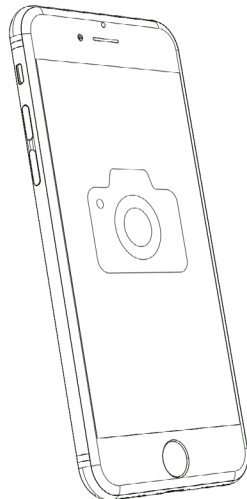


ONLINE MANUAL

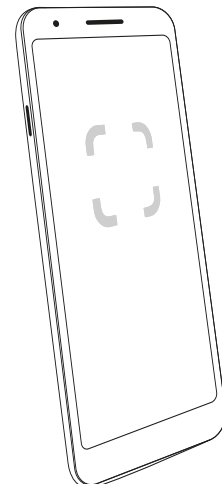


For more information on the use of the VARIO app, see the user manual at <https://service.bechstein-digital.com/>

VARIO APP FOR iOS & iPadOS



VARIO APP FOR ANDROID



TECHNICAL DATA

Power supply

Input voltage, power supply unit 110-240 V, interchangeable connection cable for international use

Power consumption 7.2 W in normal operation (plus connected devices if required, see below), 0.8 W in networked standby

Optional power supply for connected mobile devices 45 W maximum output power
5 V = 0.9 A / 9V = 1 A / 15 V = 1 A / 18 V = 2.5 A

Energy saving/Auto power off Yes

Connections Bluetooth-MIDI (BLE, Single Mode), USB Type-C PD (Power Delivery), 2x headphone jacks 6.3 mm (jack, stereo), 2x audio outputs (cinch, -10 dBV), 2x audio inputs / AUX-In (cinch, -10 dBV)

Package contents Power supply unit, power cord, headphones (incl. cable and adapter), display stand and this quick start manual

INFORMATION FOR SAFE HANDLING

Please observe the following safety instructions:

- Only use the power supply unit delivered with the system.
- Only connect the unit to an outlet that complies with the unit's specifications.
- Never damage the power cord or place heavy objects on it. Also avoid crimping, bending or jamming the cable.
- Secure the power cord to prevent tripping hazards.
- Never open or modify the individual modules or the power supply unit.
- Make sure that no items such as paper clips, needles, coins, liquids, or pet hair get inside the electronics or on the sensor bar under the keys.
- The VARIO digital system can be connected to headphones and various other devices. Never use it with a sound volume that may damage your hearing or the connected devices.
- Do not turn on the system in the following cases:
 - Liquids or objects have got into the modules or the instrument.
 - The power supply unit is damaged.
 - Smoke is coming out of the system or it smells of smoke.
 - The system has become cold, damp or wet.
 - It doesn't behave as expected or its performance is degraded.
- Keep products containing solvents such as nail varnish, spray cans, alcohol, cosmetics, etc. away from your C. Bechstein VARIO.
- The device and the power supply unit must be operated in such a way that sufficient ventilation is always provided.
- When unplugging internal or external connections, pull only on the plug, not on the cable.
- Never handle the devices, cables or the power supply unit with wet hands.
- Ensure that all cables are properly connected after transportation and that the system has not been damaged, damp or cold.
- In the event of a thunderstorm, unplug the power cord.
- Before leaving the instrument, unplug the headphones and hang them on the holder provided.
- We also recommend having a specialist clean the sensor bar whenever you have the piano tuned.
- We recommend calibrating the sensor system after transporting the instrument, after maintenance work, as part of piano tuning, and when changing the heating period.