



C. BECHSTEIN

Digital

**C. BECHSTEIN VARIO duet Upgrade
Installation instructions
electronics for grand pianos**



Version number of this document: 001
Last updated 18 April 2024

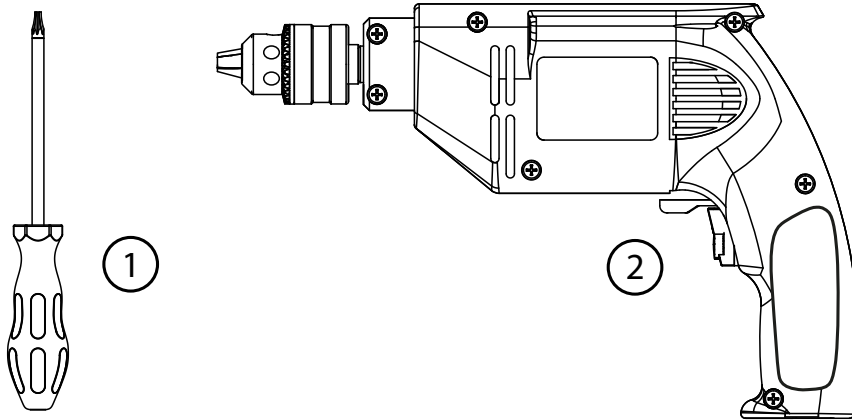
This document is available in the current version
and in other languages as a PDF file.

© 2024, C. Bechstein Digital GmbH, Germany

CONTENTS

Required tools	3
Part list	4
Enclosed accessories	6
Preparing the instrument	7
Attaching the control modules and headphone holder	8
Mounting the VARIO Connect Pro Module	9
Mounting the headphone holder	10
Mounting the VARIO duet Module	10
Connecting the data cable	11
Initial setup of the software	13
Check calibration	13

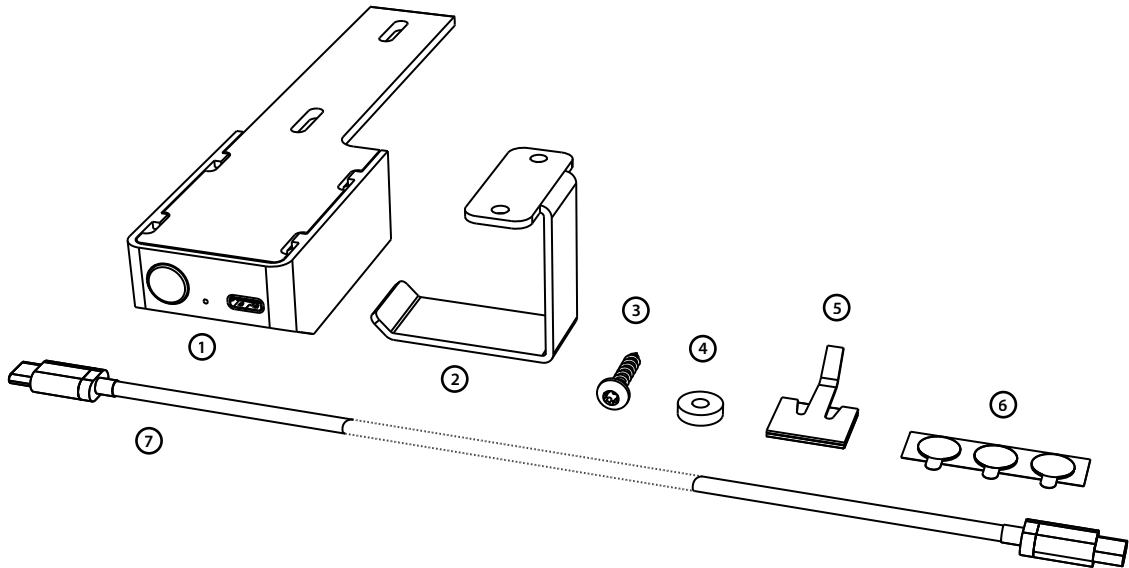
REQUIRED TOOLS



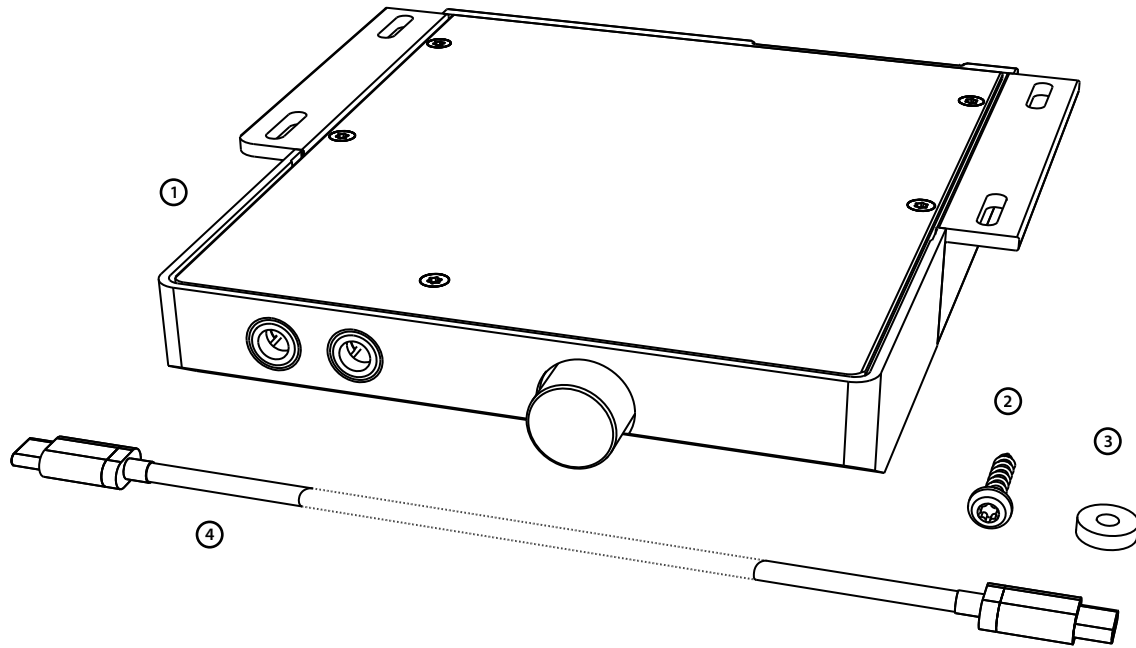
1. Torx screwdriver/ Bit T20

2. Drilling machine

PART LIST

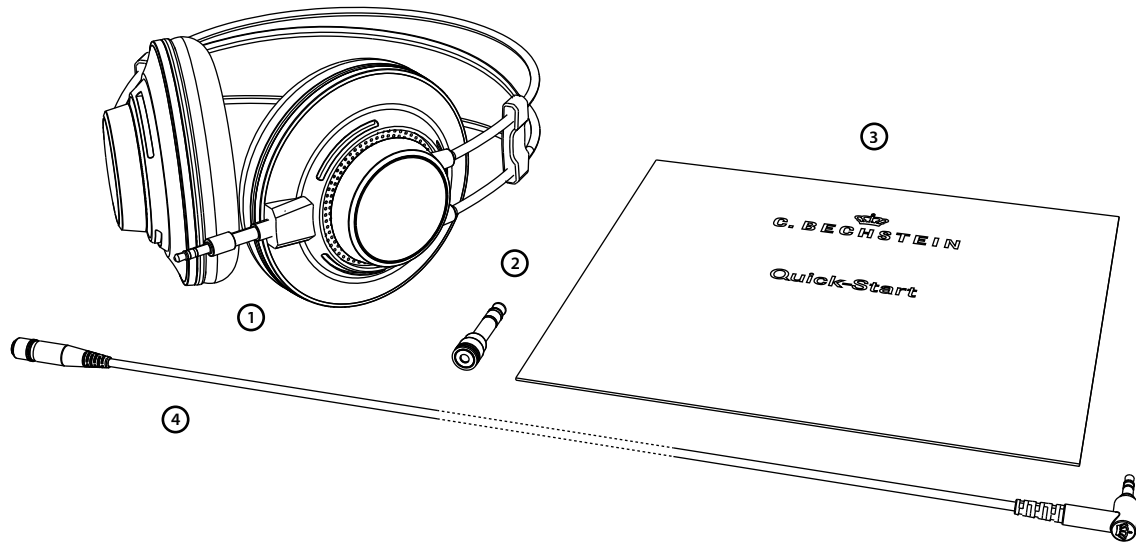


①	VE02001000001	VARIO Connect Pro Module (SW)	1
or	VE02001000002	VARIO Connect Pro Module (W)	1
②	CBD-00041	VARIO Headphone holder, steel 40/20x49x44 mm (SW)	1
or	CBD-00052	VARIO Headphone holder, steel 40/20x49x44 mm (W)	1
③	VE00002000001	Round-head screw TX20 4x20 mm (SW)	4
or	CBD-00055	Round-head screw TX20 4x20 mm (SIL)	4
④	CBD-00045	Spacer ring (SW)	4
⑤	CBD-00024	Cable clamp (SIL)	3
⑥	CBD-00145	Acrylic adhesive dots 0.5 mm thickness, Ø 10 mm (W)	3
⑦	CBD-00043	Connection cable USB-C-C 900 mm (SW)	1
or	CBD-00054	Connection cable USB-C-C 900 mm (W)	1

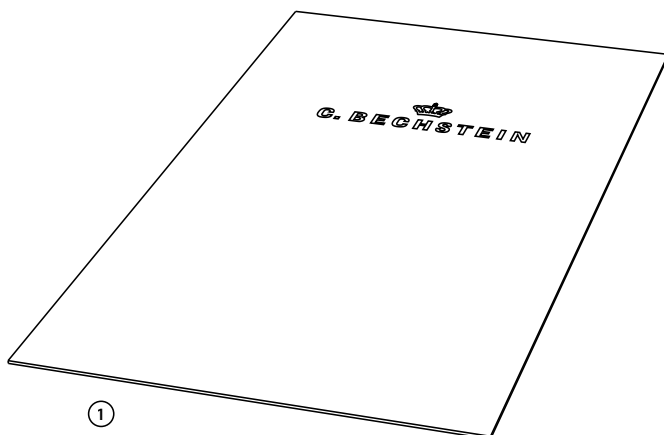


①	VE03001000001	VARIO duet Module (SW)	1
or	VE03001000002	VARIO duet Module (W)	1
②	VE00002000001	Round-head screw TX20 4x20 mm (SW)	4
or	CBD-00055	Round-head screw TX20 4x20 mm (SIL)	4
③	CBD-00045	Spacer rings	4
④	CBD-00076	Connection cable USB-C-C 300 mm (SW)	1
or	CBD-00085	Connection cable USB-C-C 300 mm (W)	1

ENCLOSED ACCESSORIES



①	VE0020000001	VARIO Headphones (SW)	1
or	VE0020000002	VARIO Headphones (W)	1
②	CBD-00192	Jack adapter from 3.5 mm to 6.3 mm for headphone cable	1
③	CBD-00247	VARIO duet Quick Start Guide DE, 21 x 21 cm	1
	CBD-00248	VARIO duet Quick Start Guide EN, 21 x 21 cm	1
	CBD-00249	VARIO duet Quick Start Guide FR, 21 x 21 cm	1
④	CBD-00190	Headphone cable 190 cm (SW) (angled connection)	1
or	CBD-00191	Headphone cable 190 cm (W) (angled connection)	1



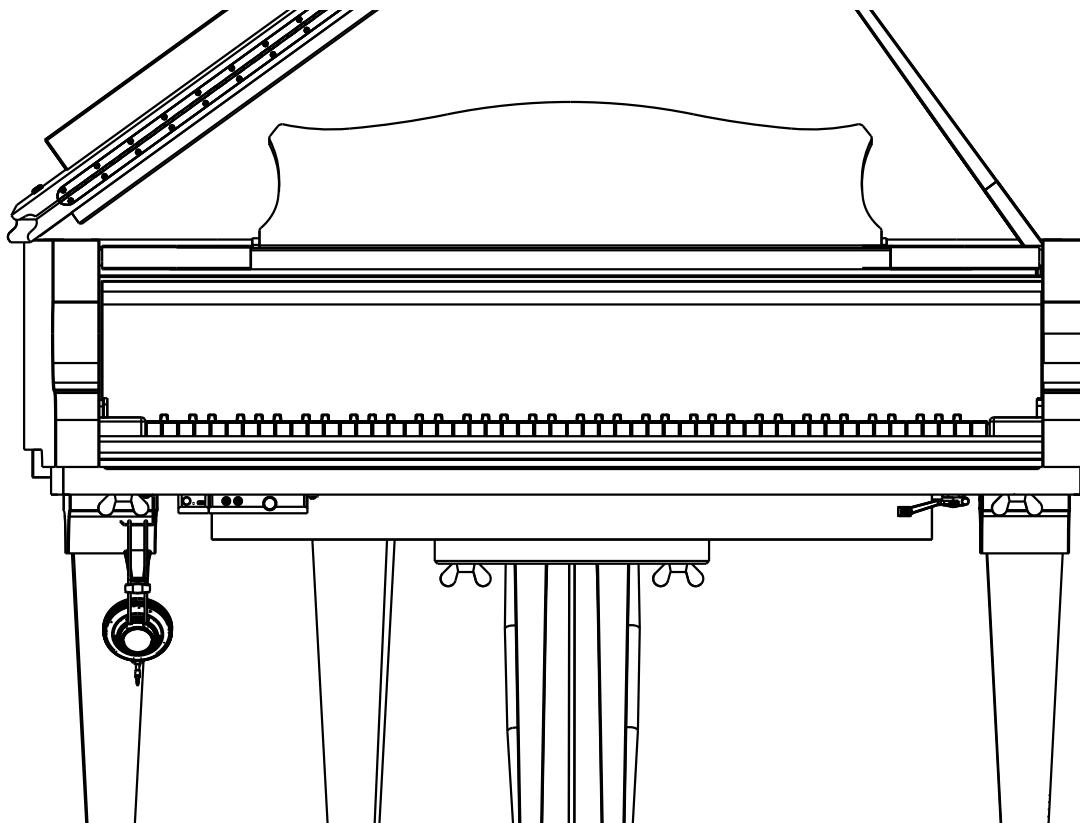
①	CBD-00029	VARIO Warranty Card 153 x 297 mm	1
---	-----------	----------------------------------	---

PREPARING THE INSTRUMENT

The installation of the VARIO duet upgrade requires that a C. Bechstein Connect system is already installed in the instrument.

- Disconnect the instrument from the power supply.
- Remove all necessary housing parts such as fall board, cheek-blocks and key slip.
- Check the regulation of the piano and adjust it if necessary.
- Disconnect the connecting cable between the base board and the sensor rail.
- Remove action.

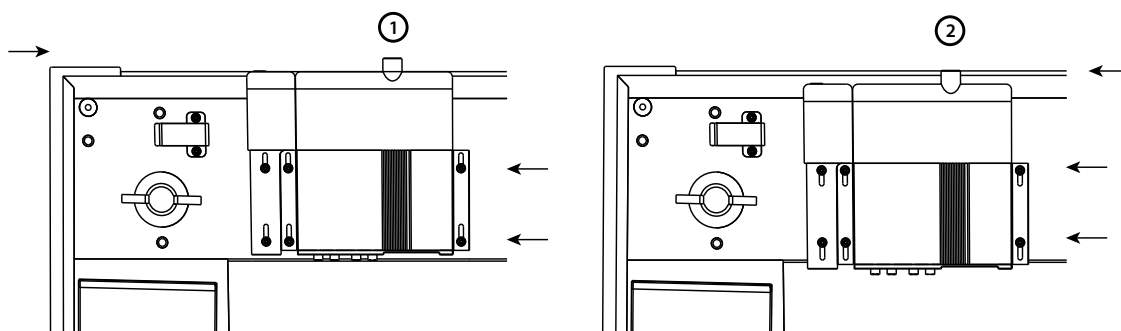
ATTACHING THE CONTROL MODULES AND HEADPHONE HOLDER

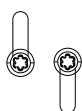


When upgrading from C. Bechstein Connect to VARIO duet, two control modules - VARIO duet module (VE03001000001/ VE03001000002) and VARIO Connect Pro module (VE02001000001/ VE02001000002) - are mounted on the front of the instrument. The control modules can be mounted in such a way that ...

the module fronts are flush with the key bed, **or**

the volume control of the larger module is flush with the key bed.





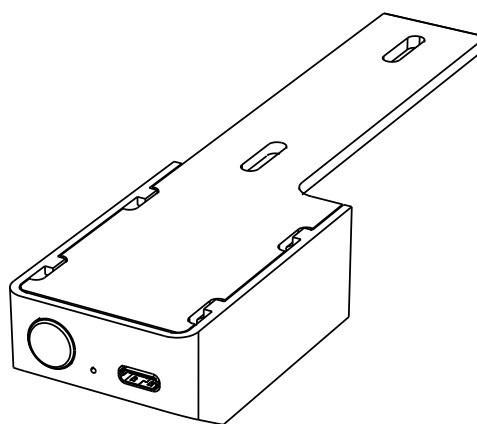
Hint: place the screws in such a way that they are located in the oblong hole at the back when mounting flush with the front. This allows the modules to be easily changed in position.

For pianos with a metal strip on the front edge of the key bed, spacer rubbers (CBD-00045) are supplied with the system.

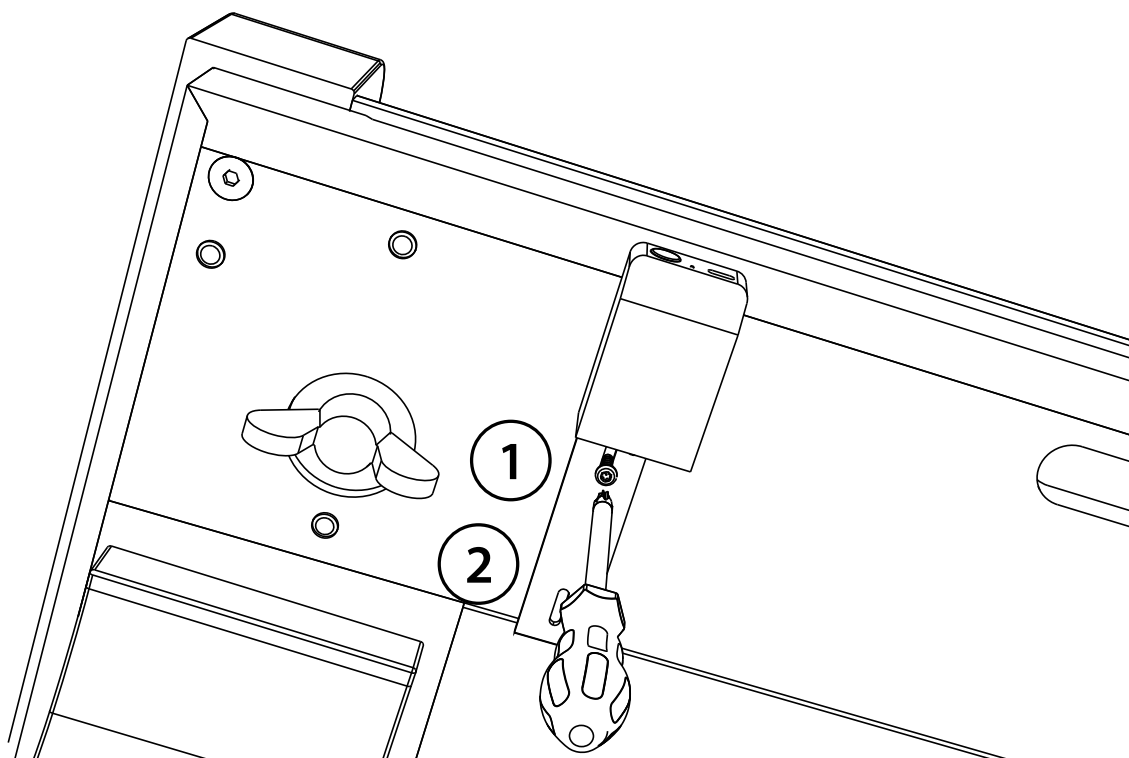
Mounting the VARIO Connect Pro Module

The module is fixed with two screws (VE00002000001/ CBD-00055) using a T20 bit.

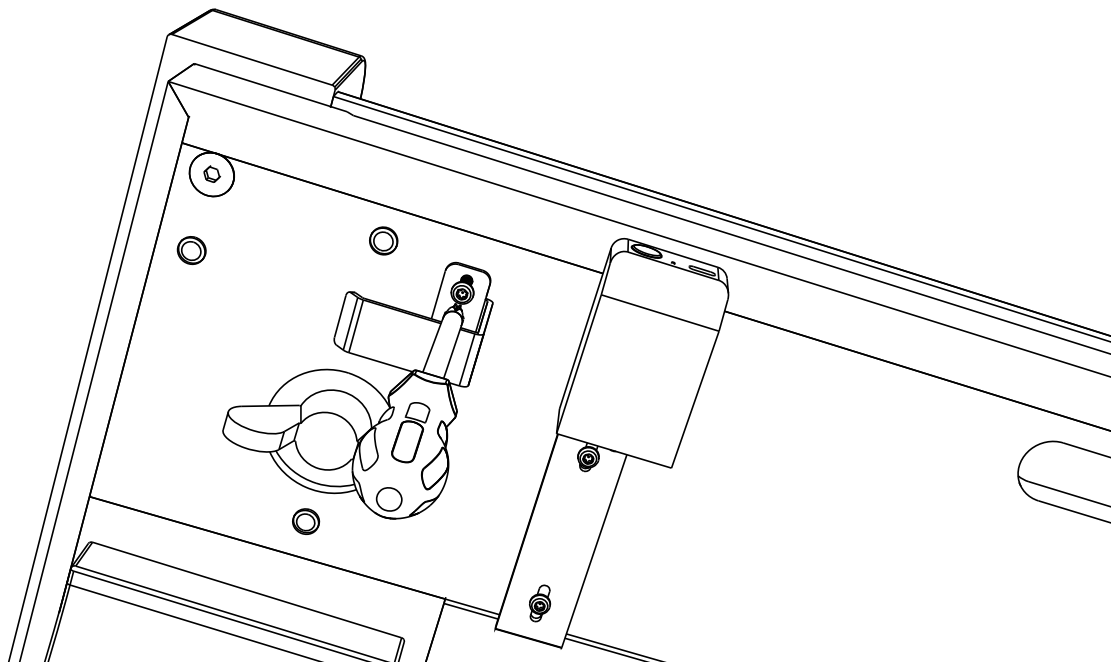
- Hold the module against the key bed.
- First tighten screw 1.
- Align the module in a straight line.
- Fix the module with screw 2.



VARIO Connect Pro Module

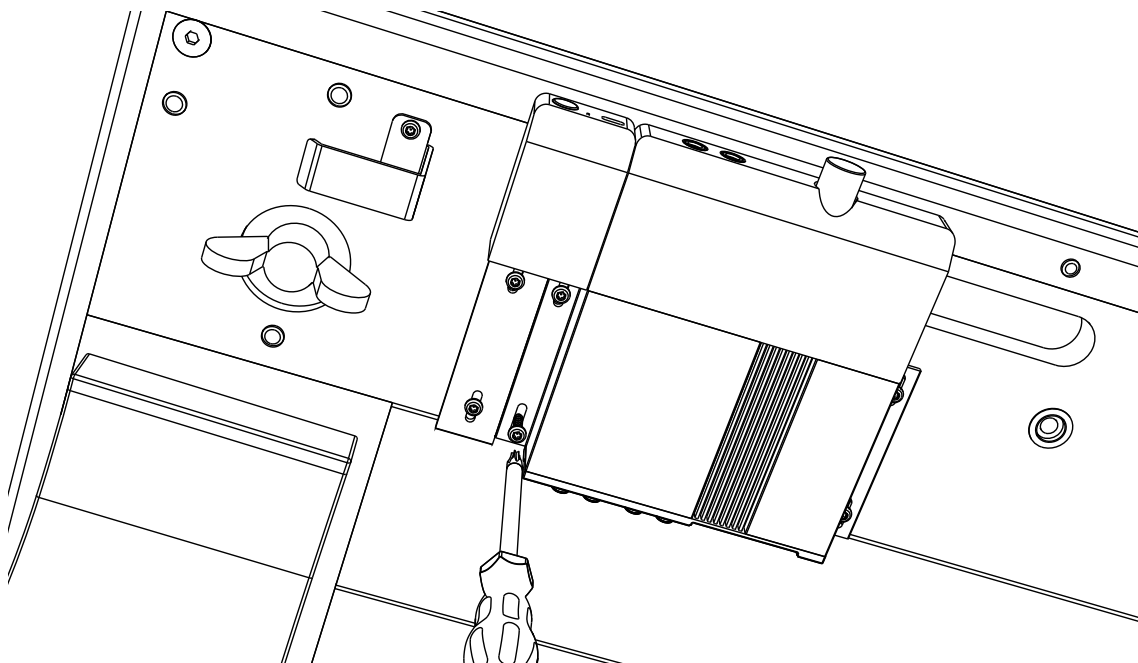


Mounting the headphone holder



Fasten the headphone holder (CBD-00041/ CBD-00052) to the left of the VARIO Connect Pro module with two screws (VE00002000001/ CBD-00055)

Mounting the VARIO duet Module



Attach the VARIO duet module (VE03001000001/ VE03001000002) directly to the right of the VARIO Connect Pro module with four screws (VE00002000001/ CBD-00055).

CONNECTING THE DATA CABLE

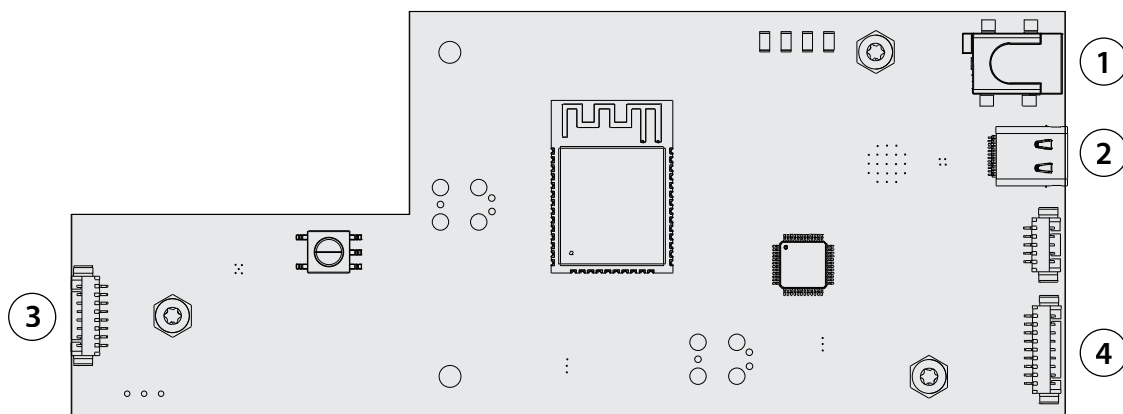
The short connection cable (CBD-00076/ CBD-0085) connects the VARIO Connect Pro module to the VARIO duet module.

The cable connection on the VARIO duet module is labeled FROM MODULE.

The longer cable (CBD-00043/ CBD-00054) connects the VARIO duet module to the base board (VE01001000000) in the instrument.

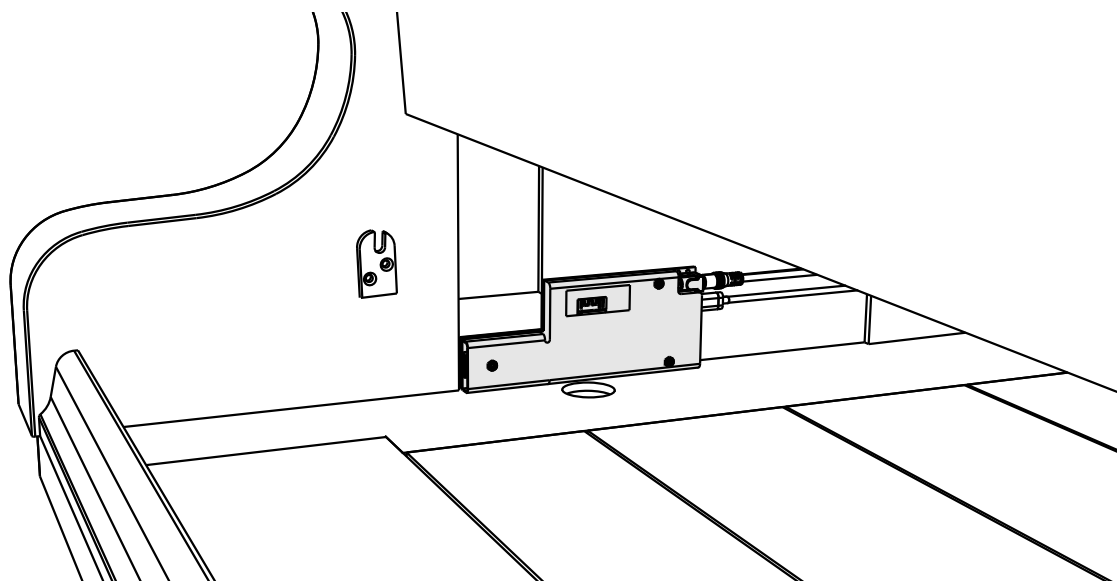
The connection socket on the module is labeled FROM PIANO. The connection socket (2) on the base board is located directly next to the DC connection (1).

If necessary, the base board can be loosened by turning it on the mounting surface to make it easier to connect the cable. It can then be reattached with new adhesive dots (CBD-00145).



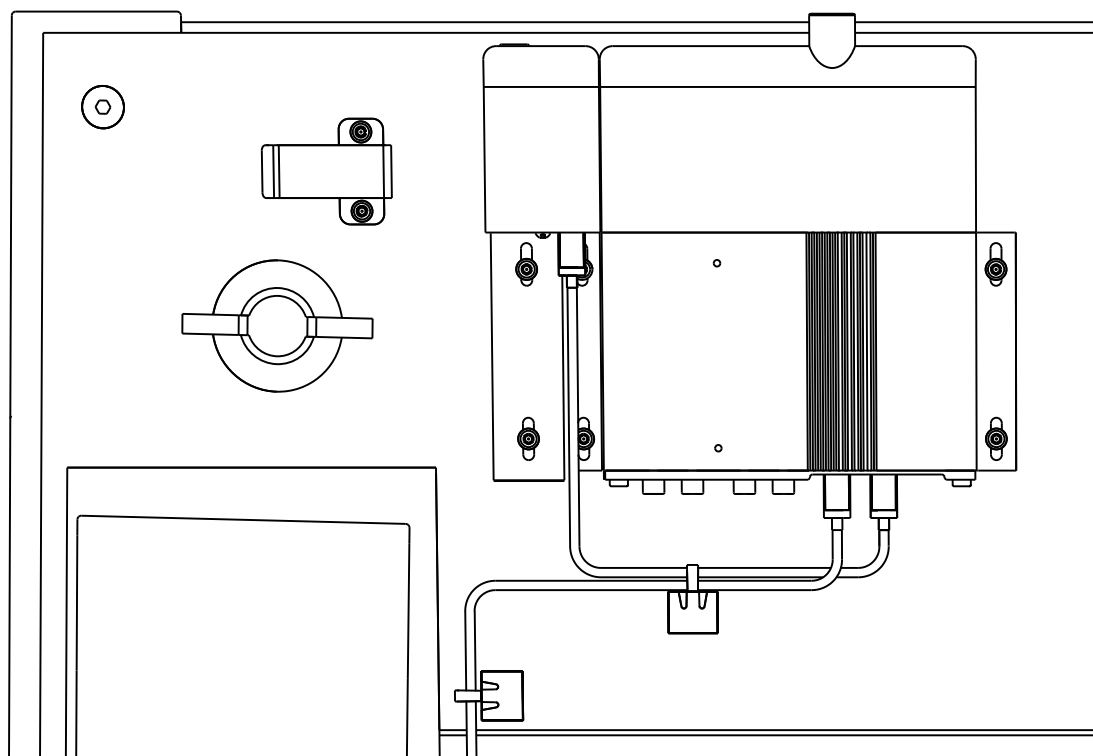
Overview of all connections on the base board:

1. DC connection cable (VE01002000000)
2. Connection cable USB-C-C 900 mm (CBD-00043/ CBD-00054)
3. Connection cable for sensor rail (CBD-00023)
4. Pedal sensors with three-color connection cable (VE01004000000)



After connecting the USC-C-C 900 mm connecting cable (2), push the action back into the instrument and connect the connecting cable to the sensor rail (3) with the base board.

Use the self-adhesive cable clamps (CBD-00024) to fix the cables to the to the key bed.

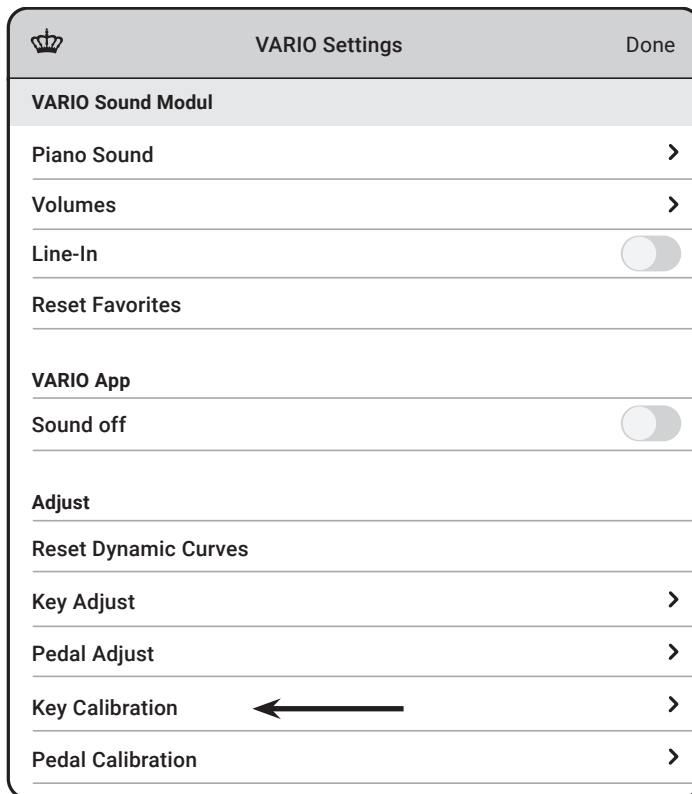


INITIAL SETUP OF THE SOFTWARE

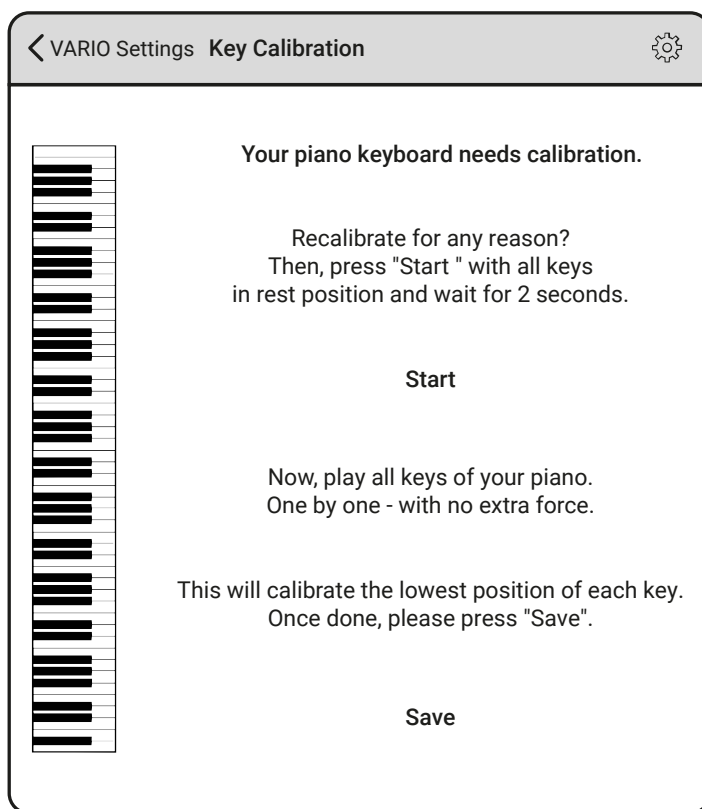
The initial setup of the software requires the use of the VARIO App. The necessary steps and a list of compatible devices can be found on our service website service.bechstein-digital.com. The calibration must be done with the instrument assembled (Reinsert action, fall board, cheek-blocks and key slip).

Check calibration

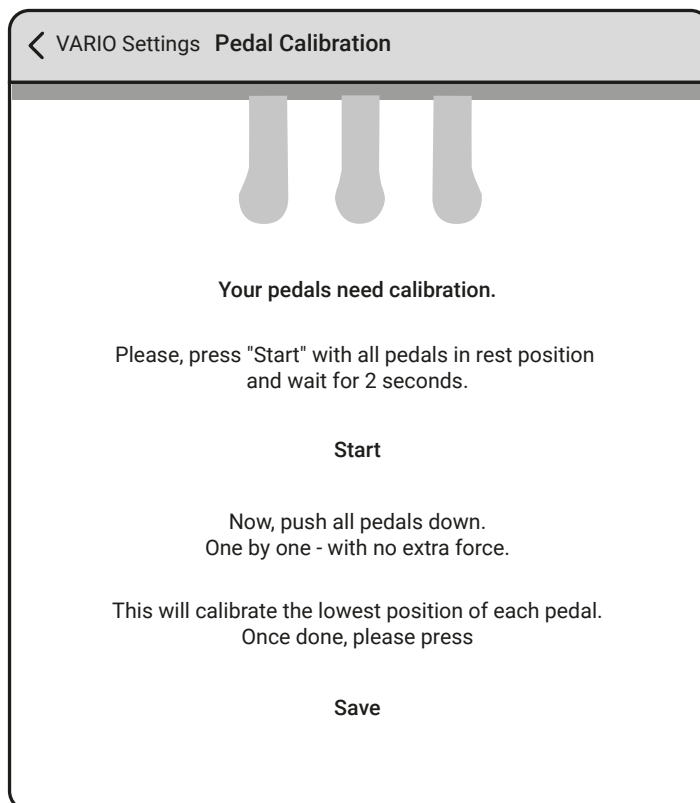
- Connect the instrument to the power supply.
- Start the VARIO App.
- Connect your mobile device to the instrument via Bluetooth-MIDI.
- Switch to Settings → Key Calibration:



Check the **calibration status** and recalibrate if necessary.



Check the **calibration of the pedals** in the same way.



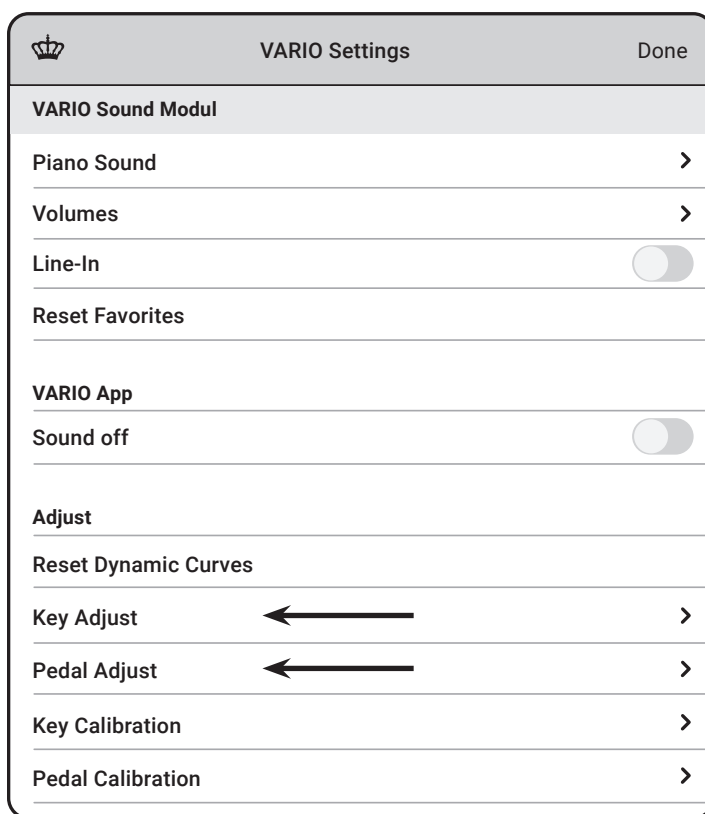
After successful calibration, a piano sound can be heard via the headphones connected to the VARIO duet module.

If necessary, fine-tune in the

Settings

→ **Key Adjust** and

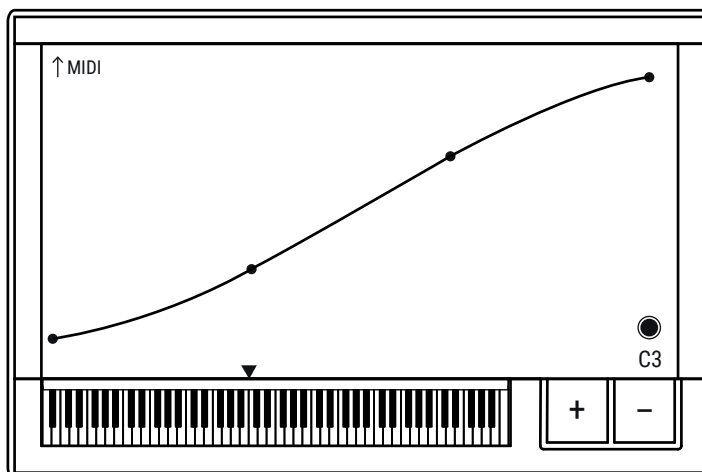
→ **Pedal Adjust.**



If necessary, make further adjustments using the

SENSITIVITY (velocity curve)

function to adjust the dynamic response to the instrument.



For assigning an individual Bluetooth identifier (Bluetooth name):

- Open the „Bluetooth name“ item in the VARIO Settings.
- Enter a new name. We recommend choosing an abbreviation for the respective instrument (e.g. A190) plus the serial number of the instrument (#123456), as an example:

A190#123456

- Confirm the entry by pressing the Enter / Return key on the screen keyboard and exit the dialog.
- The Bluetooth MIDI connection must then be re-established.

Use our service on the Internet:

- Manuals in other languages
- Current installation instructions
- Service requests
- Ordering spare parts

Under: service.bechstein-digital.com

Service phone:

+800 1853 0000 (free of charge)

***We look forward to getting in touch with you -
Your service team from C. Bechstein Digital***